

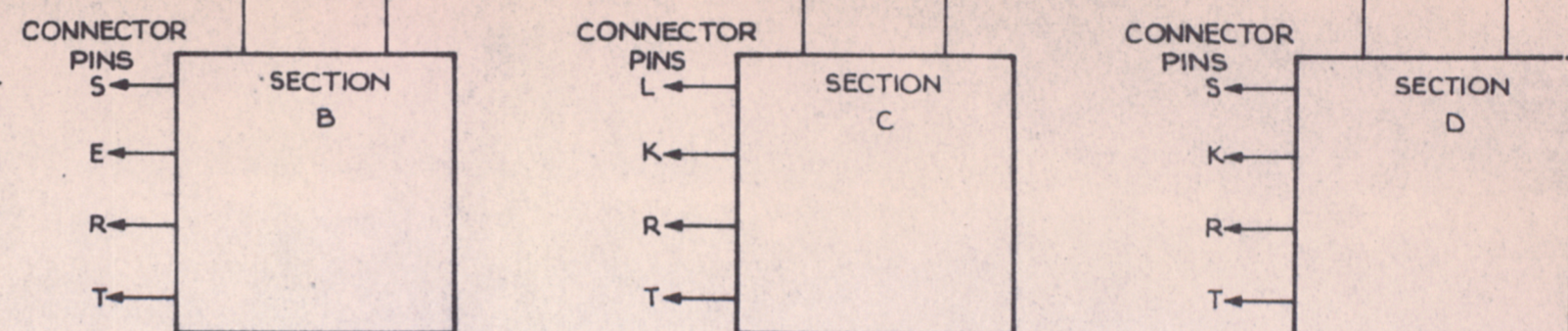
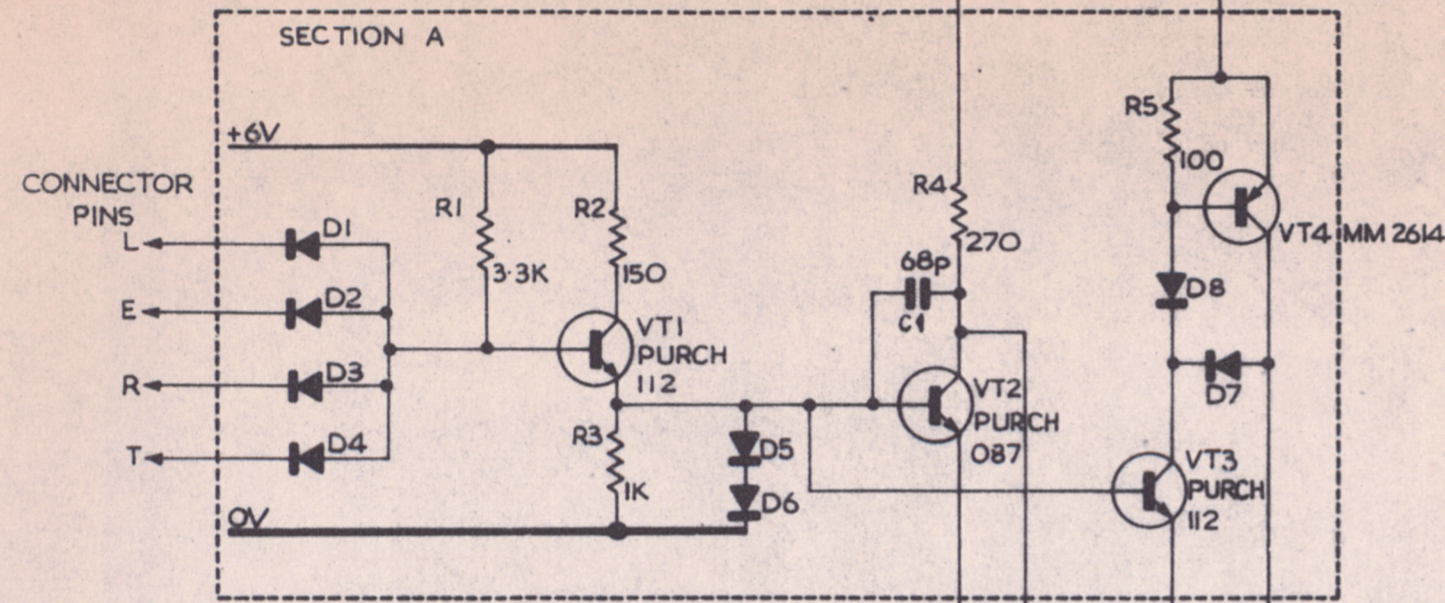
322C 4201

THIRD ANGLE PROJECTION

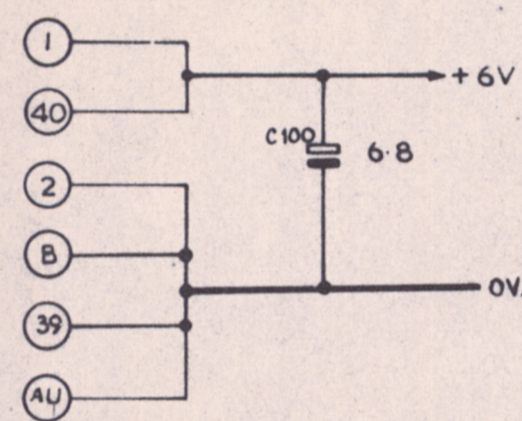
DIMENSIONS IN INCHES UNLESS OTHERWISE STATED

DO NOT SCALE DRAWING

U +15V  
M +15V

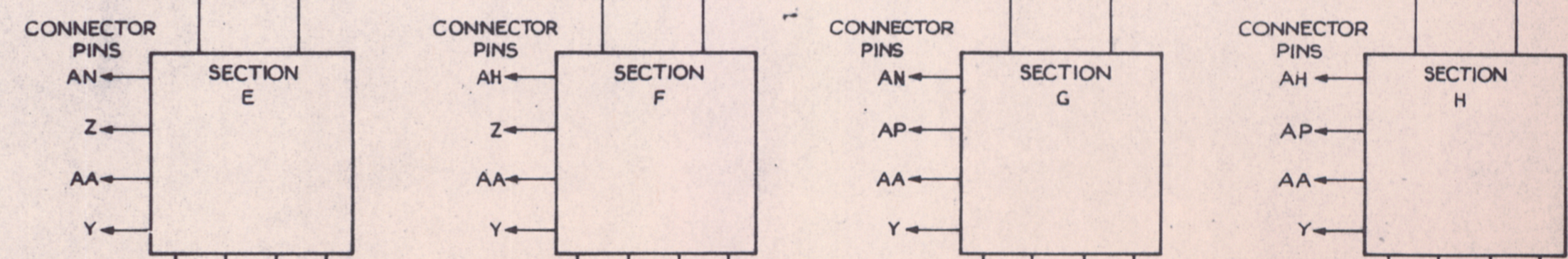


J DRIVER INPUT  
19 W.G.S./R.G.S.



C DRIVER O/P    3 GATE O/P    F DRIVER O/P    4 GATE O/P    N DRIVER O/P    H GATE O/P    V DRIVER O/P    P GATE O/P

AE +15V  
AS +15V



AF DRIVER INPUT  
AC W.G.S./R.G.S.

X DRIVER O/P    W GATE O/P    AD DRIVER O/P    AB GATE O/P    AM DRIVER O/P    AK GATE O/P    38 DRIVER O/P    37 GATE O/P

ALL DIODES TEXAS TYPE Z/144

A29

LATEST M.I INCORPORATED MI 2998

ISSUE No.	1	2	3	4
ALTERATION No.	P679	1182	1340	1887
DATE	5.10.65	26.1.66	13.4.66	11.1.67
INITIALS		S.H.	Edw	J.P.
PARTS LIST No.	DRAWN S SILBERTHORNE CHECKED P.N.S. CS 271 APPROVED DATE 28-10-65			

MATERIAL

FINISH

© Elliott Brothers (London) Limited  
THIS DRAWING IS THE PROPERTY OF ELLIOTT BROTHERS (LONDON) LIMITED AND MAY NOT BE COPIED USED OR DISCLOSED FOR ANY PURPOSE EXCEPT AS AUTHORIZED IN WRITING BY ELLIOTT BROTHERS (LONDON) LIMITED

TOLERANCES  
LINEAR UNMACHINED SURFACES MACHINED SURFACES ANGULAR DIMENSIONS UNLESS OTHERWISE STATED

ELLIOTT BROTHERS (LONDON) LTD

TITLE  
920 B STORE  
CIRCUIT DIAGRAM A-ED3

SCALE  
DRAWING No.  
322 C 4201